

## Specification

### Passive Optical Bypass Module



**POBM-C1CX8-P0C**

## Features

- **Reliable Passive Fiber Bypass(Non-latching)**
- **Low Bypass Loss and Return Loss**
- **Available in 50/125 $\mu$ m Multimode Fiber**
- **PCB Mountable Type**
- **Compliant with IEEE 802.3z**
- **Controlled by NIC's CPLD to Perform Programmable Normal and Bypass Modes at**
- **Powerless, System Hangs, and Software Request**
- **Eight Dual LC OM3 Adapter**
- **Compact Format and ROHS Compliant**

## Product Overview

FormericaOE's High Density Passive Optical Bypass Module is a compact box that contains 2 optical bypass switches which can be controlled by the controller of In-Line equipment to perform the "Fail-to-Wire" optical bypass function. The FormericaOE's Passive Optical Bypass Module (POBM) is targeted for In-Line network system (e.g. IPS: Intrusion Prevention System, IES: Industrial Ethernet Switching, WAN Optimization System, and Application Switch, etc.) with high availability in maintaining network connectivity when power failure or system failure.

This POBM supports Normal and Bypass modes. In Normal mode, each port is an independent interface directly linked to optical transceiver on In-Line equipment by optical patch cord. In Bypass mode, all packets received from one port are transmitted to the adjacent port in POBM. Thus, This POBM can bypass its Ethernet ports when there is host-system failure, power off, or upon software request. This POBM can also be mounted and integrated with any kind of NIC by a simple signal connector.

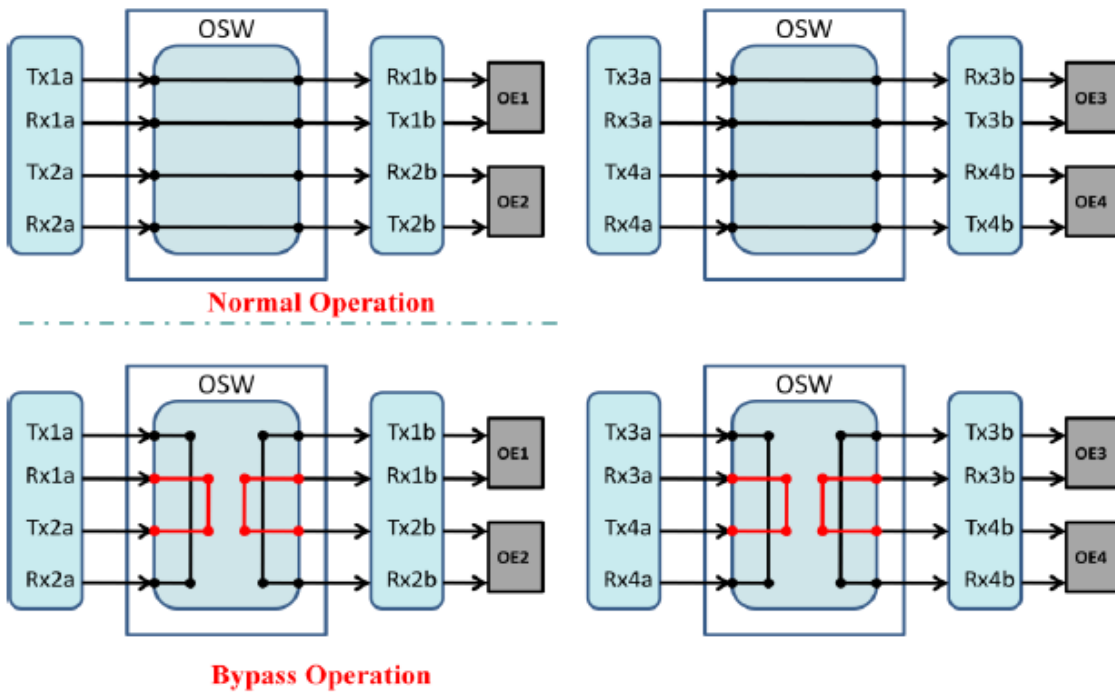
FormericaOE's Passive Optical Bypass Module is suitable for connecting with In-Line equipment in meeting the requirement of Fail-Over systems. When the In-Line unit is not on or is in Bypass Mode, the relays within the Passive Optical Bypass Module are set to bridge the optical signals directly through the switch, completely bypassing the In-Line equipment. If the In-Line equipment is on and is operating normally, it supplies power to the switch through a connector PIN.

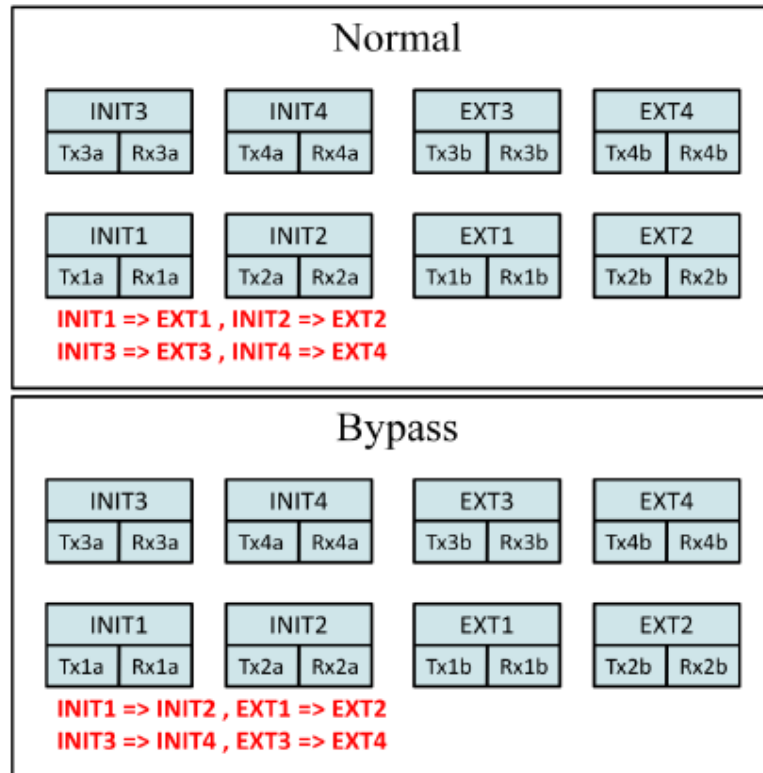
This compact module provides network users excellent and cost effective protection for your network.

Note:

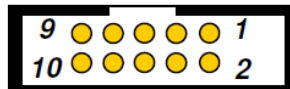
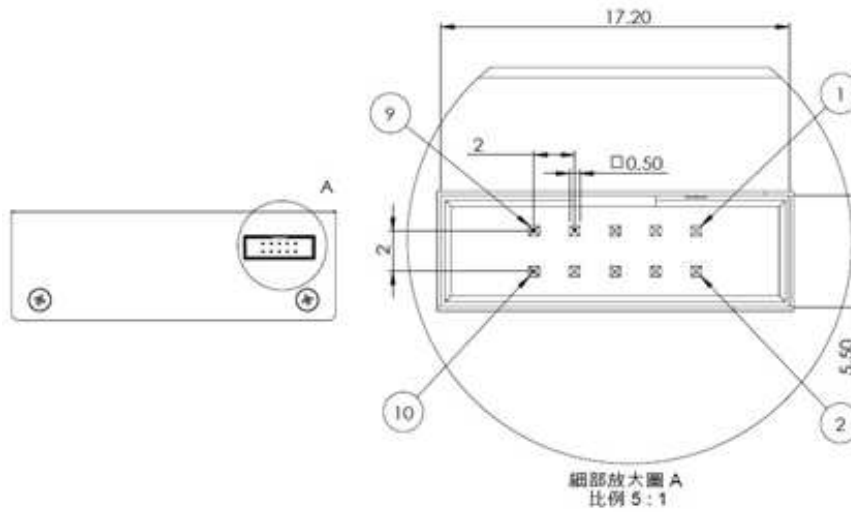
- a. Latching POBM is also available. Delay Timer and System Enabled PIN can be embedded into the Non-latching module at customer's request.
- b. 62.5/125µm fiber type (OM1) is also available.
- c. Module can be customized to pluggable type.

**BLOCK DIAGRAM and OPTICAL PATHS:**





**PIN Assignment**



PIN No.	Name	I/O	Description
1	Vcc_1	I	3.3V Power Supply (OSW1Power and High=Normal Mode, Low=Bypass Mode)
2	Ground		
3	OSW1Bypass Control	I	High= NormalMode, Low= BypassMode for OSW1
4	OSW1State Output	O	High=Normal Mode, Low=Bypass Mode for OSW1
5	Ground		
6	On-Line		0 Ohm to Ground
7	Reserve		
8	Reserve		
9	Reserve		
10	Reserve		

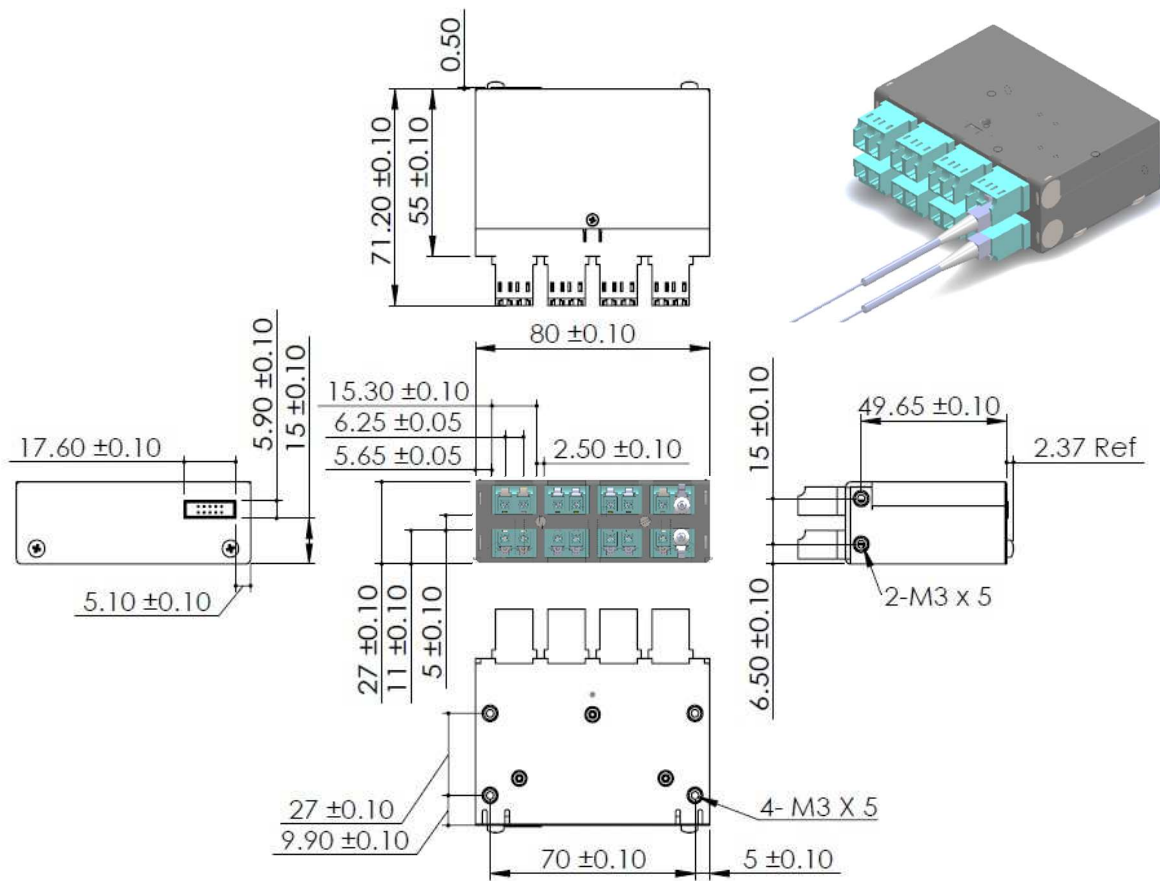
**POBM CHARACTERISTICS:**

Characteristics	Multimode@850nm		Unit	Remarks
Relay Type	Two Coil Latching			Single Coil for Non-latching one is Available
Fiber Type	50/125		μm	SMF-28e is also Available
Optical Wavelength	850±40/1300±40		nm	
Cable Type	250		μm	Customized by Request
Adapter Type	Dual LC		pc	Customized by Request
Insertion Loss	Typical	Maximum	dB	With Connectors and Adapters, same as Bypass Loss
	1.5	2.0		
Return Loss	Typical	Maximum	dB	With Connectors
		30		
Cross-talk	≤ -35		dB	With Connectors
Switching Time	≤ 10		ms	With Connectors
Repeatability	±0.05		dB	Peak to Peak (100 cycles)
Optical Input Power	300		mW	
Operating Temperature	0~70		°C	For -40~85 °C Industrial Type, Bare Fiber is needed to be routed in the module
Storage Temperature	-40~80		°C	
Package Dimensions	80(W)x55(D)x27(H)		mm	Customized by Request

**Electrical Characteristics**

Parameter	Symbol	Min.	Typ.	Max.	Un
+3.3V Supply Voltage	Vcc	3.10		3.50	V
OSW Bypass Control-High	VBCH	2		Vcc+0.3	V
OSW Bypass Control-Low	VBCL	0		0.8	V
OSW State Output -High	VSTH	2.4		Vcc	V
OSW State Output -Low	VSTL	0		0.5	V
Typical Current	Icc			150	mA

**Mechanical Dimension**





## ESD

Normal ESD precautions are required during the handling of this module. This transceiver is shipped in ESD protective packaging. It should be removed from the packaging and handled only in an ESD protected environment.

### Contact Information

**Formerica OptoElectronics Inc.**

5F-11, No.38, Taiyuan St., Zhubei City,

Hsinchu County 30265, Taiwan

Tel: +886-3-5600286

Fax: +886-3-5600239

**San Diego, CA**

Tel: 1-949-466-8069

[inquiry@formericaoe.com](mailto:inquiry@formericaoe.com)

[www.formericaoe.com](http://www.formericaoe.com)



---

## Revision History

Date	Version	Description
03/13/2019	1.1	1. Product photo change. 2. Footer style change. 3. Contact information has been added on the last page.

